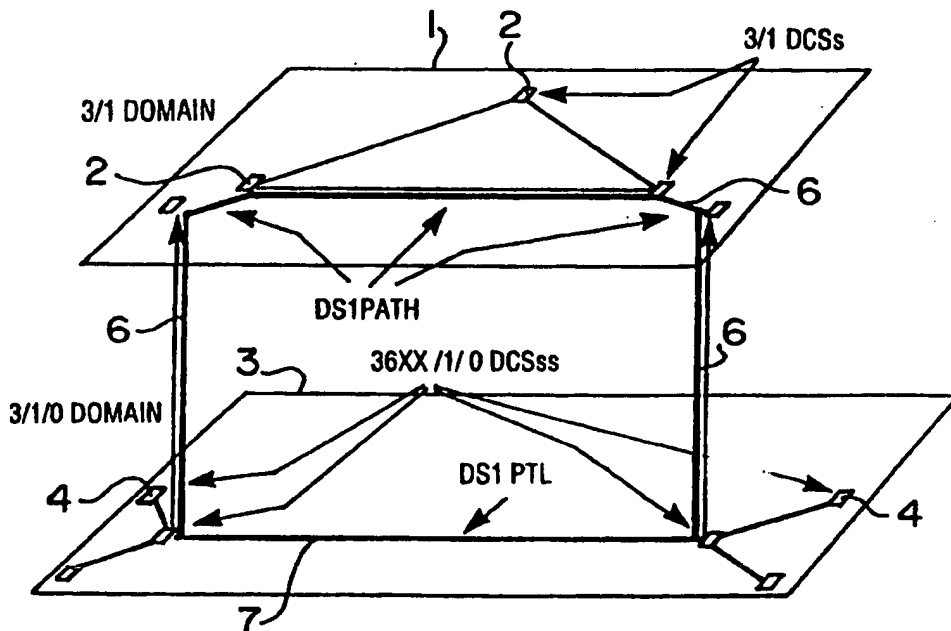




INTERNATIONAL APPLICATION PUBLISHED UNDER THE PATENT COOPERATION TREATY (PCT)

<p>(51) International Patent Classification⁶ : H04L 12/24</p>	<p>A1</p>	<p>(11) International Publication Number: WO 96/09707 (43) International Publication Date: 28 March 1996 (28.03.96)</p>
<p>(21) International Application Number: PCT/CA95/00522 (22) International Filing Date: 19 September 1995 (19.09.95) (30) Priority Data: 2,132,363 19 September 1994 (19.09.94) CA (71) Applicants (for all designated States except US): CROSSKEYS SYSTEMS CORPORATION [CA/CA]; 362 Terry Fox Drive, Kanata, Ontario K2K 2P5 (CA). NEWBRIDGE NETWORKS CORPORATION [CA/CA]; 600 March Road, Kanata, Ontario K2K 2E6 (CA). (72) Inventors; and (75) Inventors/Applicants (for US only): WONG, Norman [CA/CA]; 13 Brady Avenue, Kanata, Ontario K2K 2R1 (CA). BELLINGER, Doug [CA/CA]; 125 Northwestern, Ottawa, Ontario K1Y 0M1 (CA). FREEN, Russ [CA/CA]; 6 Halldorson Crescent, Kanata, Ontario K2K 2C4 (CA). RAJU, Vish [CA/CA]; 5 Lismer Crescent, Kanata, Ontario K2K 1A1 (CA). NEVILLE, Wade [CA/CA]; 14 Katra Street, Almonte, Ontario K0A 1A0 (CA). (74) Agent: MITCHELL, Richard, J.; Marks & Clerk, P.O. Box 957, Station B, Ottawa, Ontario K1P 5S7 (CA).</p>		<p>(81) Designated States: AM, AT, AU, BB, BG, BR, BY, CA, CH, CN, CZ, DE, DK, EE, ES, FI, GB, GE, HU, IS, JP, KE, KG, KP, KR, KZ, LK, LR, LT, LU, LV, MD, MG, MN, MW, MX, NO, NZ, PL, PT, RO, RU, SD, SE, SG, SI, SK, TJ, TM, TT, UA, UG, US, UZ, VN, European patent (AT, BE, CH, DE, DK, ES, FR, GB, GR, IE, IT, LU, MC, NL, PT, SE), OAPI patent (BF, BJ, CF, CG, CI, CM, GA, GN, ML, MR, NE, SN, TD, TG), ARIPO patent (KE, MW, SD, SZ, UG). Published With international search report.</p>

(54) Title: INTEGRATED MANAGEMENT OF MULTIPLE NETWORKS WITH DIFFERENT TOPOLOGIES



(57) Abstract

An integrated network management system for multiple networks of different technology domains employs hierarchical pass-through routing and multi-network service management through the network.

FOR THE PURPOSES OF INFORMATION ONLY

Codes used to identify States party to the PCT on the front pages of pamphlets publishing international applications under the PCT.

AT	Austria	GB	United Kingdom	MR	Mauritania
AU	Australia	GE	Georgia	MW	Malawi
BB	Barbados	GN	Guinea	NE	Niger
BE	Belgium	GR	Greece	NL	Netherlands
BF	Burkina Faso	HU	Hungary	NO	Norway
BG	Bulgaria	IE	Ireland	NZ	New Zealand
BJ	Benin	IT	Italy	PL	Poland
BR	Brazil	JP	Japan	PT	Portugal
BY	Belarus	KE	Kenya	RO	Romania
CA	Canada	KG	Kyrgystan	RU	Russian Federation
CF	Central African Republic	KP	Democratic People's Republic of Korea	SD	Sudan
CG	Congo	KR	Republic of Korea	SE	Sweden
CH	Switzerland	KZ	Kazakhstan	SI	Slovenia
CI	Côte d'Ivoire	LI	Liechtenstein	SK	Slovakia
CM	Cameroon	LK	Sri Lanka	SN	Senegal
CN	China	LU	Luxembourg	TD	Chad
CS	Czechoslovakia	LV	Latvia	TG	Togo
CZ	Czech Republic	MC	Monaco	TJ	Tajikistan
DE	Germany	MD	Republic of Moldova	TT	Trinidad and Tobago
DK	Denmark	MG	Madagascar	UA	Ukraine
ES	Spain	ML	Mali	US	United States of America
FI	Finland	MN	Mongolia	UZ	Uzbekistan
FR	France			VN	Viet Nam
GA	Gabon				

- 1 -

INTEGRATED MANAGEMENT OF MULTIPLE NETWORKS WITH DIFFERENT TOPOLOGIES

This invention relates to the integrated management of multiple networks of different technologies, and in particular through hierarchical pass-through routing and multi-network service management.

Newbridge Networks Corporation's 4602/46020 MainStreet® Intelligent NetworkStation provides fully integrated network management of Newbridge's LAN, 36xx Time Division Multiplexing (TDM), Frame Relay, and Asynchronous Transfer Mode (ATM) products, with a rich Graphical User Interface (GUI) showing network topology and network element drawings, real-time status monitoring and fault management, and full path (service) management and service recovery capabilities.

In many networks however, the network is not a homogeneous Newbridge network. Here, the Newbridge network is overlaid onto a backbone network, which is typically composed of non-Newbridge higher order bandwidth equipment. Without integrated management of the backbone network(s), the operators of the network (typically telcos) cannot efficiently manage the entire network and service recovery around backbone network failures requires manual human intervention. Turnaround times to recover from network failures may be very long.

Accordingly the present invention provides an integrated network management system for multiple networks of different technology domains comprising at least one network manager, characterized in that said network manager manages the multiple networks and establishes links within a technology domain by implementing hierarchical pass-through routing of other domains in the network.

- 2 -

Integrated network management of multiple networks of different technologies using Hierarchical Pass-Through Routing and Multi-Network Service Management provides a much more efficient means of management and service
5 recovery.

Thus in accordance with the invention hierarchical Pass-Through Routing and Multi-Network Service Management are combined to provide integrated management of multiple network of different technologies with a rich Graphical
10 User Interface (GUI) showing network topology and network element drawings, real-time status monitoring and fault management, and full path (service) management and service recovery capabilities.

The invention also provides a method of managing multiple
15 networks of different technology domains with at least one network manager, characterized in that links within a technology domain are established by implementing hierarchical pass-through routing of other domains in the network.

20 The invention will now be described in more detail, by way of example only, with reference to the accompanying drawings, in which:-

Figure 1 shows 3/1 and 3/1/0 domain networks;

Figure 2 shows 3/3 and 3/1 domain networks;

25 Figure 3 shows 3/3, 3/1, and 3/1/0 domain networks;

Figure 4 shows 3/3 and 3/1 domain networks;

Figure 5 shows SONET and 3/1/0 domain networks;

Figure 6 shows Hierarchical Management applied to the Newbridge 46020 network management system;

30 Figure 7 shows Multiple 46020 Hierarchical Management;

Figure 8 shows Multiple 3/1/0 Networks;

- 3 -

Figure 9 shows 3/1 Transport for Multiple 3/1/0 Networks;
Figure 10 shows Multiple 3/1/0 Networks Service Management
View;

Figure 11 shows Multiple 3/1/0 Network Path Routing;

5 Figure 12 shows Multiple 3/1/0 Network Path Segments;

Figure 13 shows Multiple 3/1/0 Network Management;

Figure 14 shows Hierarchical and Multiple 3/1/0 Network
Management;

Figure 15 shows Hierarchical and Multiple 3/3 Network
10 Management; and

Figure 16 shows Integrated Hierarchical and Multiple
Network Management.

Hierarchical Pass-Through can be used to integrate the
management of 3/3, 3/1, and 1/0 Digital Cross-Connect
15 Switches (DCS) with Newbridge products from Newbridge's
46020 network management system. A 3/3 digital cross-
connect switch (DCS) terminates interfaces and switches
at the DS3 level, a 3/1 DCS terminates interfaces and
switches at the DS1 level, while a 3/1/0 DCS terminates
20 interfaces and switches at the DS0 level, a DS0 link
being at 64 kbits/sec, a DS1 link being at 1.544 Mb/sec,
and a DS3 link being at 44.736 Mbits/sec, as is well
known in the art.

Examples of non-Newbridge DCSs that may be managed by the
25 46020 include.

- Tadiran's T::DAX and T::DAX100 (3/1)
- AT&T's DACS II (1/0)
- DSC's DEX CS1L (1/0)
- AT&T's DACS III (3/3), and DACS IV (3/1)
- 30 • Alcatel's 1631SX (3/1) and 1633SX (3/3)

- 4 -

Referring now to Figure 1, this shows a 3/1 domain 1 having a plurality of 3/1 digital cross connects switches (DCs) 2, and a 3/1/0 domain 3 of 3/1/0 Dcs 4, which are Newbridge Networks Corp. 36XX equipment for example,
5 Mainstreet® 3600 bandwidth managers.

The network is managed by Newbridge Networks Corp. 46020 Mainstreet® network manager running on, for example, a Sun workstation, as will be described in more detail below.

In the 3/1/0 domain 3, the DS1 links between DCs are in many cases, DS1 paths 6 routed through another domain 1, which is, for example, an inter-office network. These links are considered Pass-Through Links (PTL), which appear as DS1 cables 7 in the 3/1/0 domain view and as DS1 paths 6 in the 3/1 domain view.
10

The integrated management of both the 3/1/0 and 3/1 networks from the 46020 network manager provides for optimized fault management and service recovery in the above system. In the event of a failure of DS1 PTL 7, recovery actions are first taken in the 3/1 network 1, i.e. by rerouting the DS1 path. If the DS1 PTL 7 cannot be rerouted, then recovery actions are taken in the 3/1/0 network, i.e. by rerouting the DS0 paths riding the DS PTL. Without integrated management of the 3/1/0 and 3/1 networks, failures in the 3/1 backbone network 1 might not be detected by the network management system for the
25 3/1/0 network 3.

In a 3/1 network of 3/1 DCSs (such as Tadiran's T..DAX, AT&T's DACS IV and Alcatel's 1631 SX), as shown in Figure 2, the DS3 links are typically DS3 paths 8 routed through a "backbone" 10 of 3/3 equipment including 3/3 DCs 11. These links are considered Pass-Through Links, which appear as DS3 cables 12 in the 3/1 domain view and as the DS3 paths 8 in the 3/3 domain view.
30

- 5 -

The integrated management of the both the 3/1 and 3/3 networks from the 46020 provides for optimized service recovery. In the event of a DS3 PTL failure, recovery actions are first taken in the 3/3 network (DS3 path 8 is rerouted). If the DS3 path cannot be rerouted, then recovery actions are taken in the 3/1 network (DS1 paths riding the DS PTL are rerouted).

These technology domain planes allow the 46020 network manager to view and manage 3/1/0, 3/1, and 3/3 networks as distinct and separate networks, while at the same time, providing integration of these domains (see Figure 3). This hierarchical management provides for the most efficient service recovery, with recovery actions starting at the highest-order bandwidth domain.

The 3/1/0 domain 3 may have a DS3 link that is a DS3 path 18 switched in the 3/3 domain, thereby bypassing the 3/1 network. This arrangement is illustrated in Figure 4.

The concept of Hierarchical Pass-Through Routing can also be extended to provide integrated management of SONET ADM equipment. This is shown in Figure 5, where a SONET ring 20 in SONET domain 25 provides DS1 transport for a 3/1/0 domain 3. In Figure 5, DS1 paths 21 provide the DS1 links for the 3/1/0 domain 3.

This Hierarchical Pass-Through Routing management of SONET ADM equipment can also be used where a SONET ring provides DS1/DS3/OC-n transport for the ATM technology domain.

The integrated management of different technology domains can be accomplished through the same 46020 which is managing the Newbridge network elements (see Figure 6). In this mode, the different domain networks 1, 3, 10 can be represented as separate views on a graphical user

- 6 -

interface (GUI). The domains are managed by a 46020 network manager, for example, running on Sun workstation 30 connected to the domains via links 31 and associated with database 32.

5 Alternatively, the integrated management of the different technology domains can be achieved using multiple 46020s 30, (i.e., one for each of the SONET, 3/3, 3/1, asynchronous, and Newbridge networks) connected to the respective domains via links 31. This is shown in Figure
10 7. In this mode, information is shared via links 33 between the 46020s to correlate the state of services in one network which provide transport facilities in another.

For scalability and/or administrative purposes, where
15 there may be multiple networks of the same technology domain, each managed by a dedicated 46020 network manager. Service provisioning across multiple networks of the same technology domain is achieved using the concept of Multi-Network Service Management.

20 An example of inter-connected 3/1/0 networks is shown in Figure 8.

The inter-network links (i.e., DS1 links) between the 3/1/0 networks are routed through a 3/1 domain network (as DS1 Pass-Through Links), as shown in Figure 9. The
25 internetwork pass-through links 60, 61 are routed through the 3/1 domain 1 as DS1 paths 63, 64.

From the perspective of the Multi-Network Service Manager for the 3/1/0 domain 3, the networks may be represented as "network" elements which are inter-connected by
30 network links. The path-ends of a network (which are located on many different network elements in the network) are viewed as path-ends on the network element

- 7 -

representing the network. The inter-network links appear as links between the network elements 70, 71 in this service management view (see Figure 10).

5 Service provisioning across networks is performed from the Multi-Network Service Management view. This is shown in Figure 11, where the "network" elements are represented as nodes through which "cross-connections" are chosen in the path route.

10 These cross-connection commands are sent to the 4602 network managers that manage the individual networks as "path" requests between the path-ends of the networks to the timeslots of the terminating ports of the inter-network links, as shown in Figure 12.

The route chosen for the multi-network path is based on.

- 15
- the costs of the inter-network links (assigned values in the Multi-Network Service Manager database)
 - the fixed costs for establishing cross-connections (paths) through the individual networks - the costs are assigned values in the Multi-Network Service Manager
- 20 database

The mechanisms for route selection, prioritized service recovery using dynamic automatic alternate re-routing (AAR) when a failure in the network affects services, and service recovery when network repairs are based on

25 existing 46020 bandwidth allocation functionality.

From a management perspective, the 46020-based Multi-Network Service Manager 33 is a separate from the individual 46020s 30 which control the individual 3/1/0 networks as shown in Figure 13.

30 The Multi-Network Service Manager can manage multiple networks of the same technology domain to provide the

- 8 -

same routing capability for multiple 3/1 networks, 3/3 networks, SONET networks, etc.

The combination of the 46020 Hierarchical Pass-Through Routing and Multi-Network Service Management concepts in
 5 the following architecture provides integrated management of multiple networks of different technology domains.

Figure 14 shows an example of a Multi-Network Service Manager 33 managing multiple 3/1/0 networks 3. A Multi-Network Service Manager is used at each technology domain
 10 wherever management of multiple networks is required. An example of a Multi-Network Service Manager 33 managing multiple 3/3 networks is shown in Figure 15.

Multi-Network Service Managers 33 for different technology domains may be used in conjunction (i.e., 3/3 and 3/1/0 Multi-Network Service Managers), as shown in
 15 Figure 16.

When Multi-Network Service Managers are used in conjunction with the Hierarchical Pass-Through Routing 4602s in an architecture as described above, the service
 20 requests are routed directly to the appropriate 46020 (for services within a network) or to the appropriate Multi-Network Service Manager (for services across domains).

Glossary

- 25 **AAR** Automatic Adaptive Routing. The term used to describe the dynamic operation of A/B protection switching.
- ATM** Asynchronous Transfer Mode.
- BWA** Bandwidth Allocator. Software process
 30 that runs on the 4602/46020 that determines the optimum path for a circuit

- 9 -

and handles the re-routing of paths in the case of a network failure.

	DACS	Digital Access and Cross-Connect System.
	DCS	Digital Cross-Connect System.
5	DS	Digital Signal. Digital facilities that carry 24 (DS1), 96 (DS2), or 672 (DS3) simultaneous voice or voiceband data channels, each operating at 64 kbps (DS0).
	PTL	Pass-Through Link.
10	PTR	Pass-Through Routing.
	SONET	Synchronous Optical Network.
	STS	Synchronous Transport Signal.
	TDM	Time Division Multiplexing.
	VT	Virtual Tributary.

- 10 -

Claims

1. An integrated network management system for multiple networks of different technology domains comprising at least one network manager, characterized in that said
5 network manager manages the multiple networks and establishes links within a technology domain by implementing hierarchical pass-through routing of other domains in the network.
2. An integrated network management system as claimed
10 in claim 1, characterized in that a link between nodes in one said technology domain is established as a path routed through a higher order domain.
3. An integrated network management system as claimed
15 in claim 1, characterized in that said higher order domain is a SONET domain.
4. An integrated network management system as claimed
in claim 1, characterized in that at least two of said domains have the same order in the hierarchy and are connected together by internetwork links, said
20 internetwork links being provided by paths routed through a higher order domain.
5. An integrated network management system as claimed
in claim 1, characterized in that it comprises a plurality of interconnected network managers associated
25 with said respective domains.
6. An integrated network management system as claimed
in claim 1, characterized in that it comprises a graphical user interface for showing network topology and network elements.
- 30 7. An integrated network management system as claimed
in claim 1, characterized in that said network manager implements real-time status monitoring and fault

- 11 -

management, and full path (service) management and service recovery capabilities across the multiple networks.

8. A method of managing multiple networks of different
5 technology domains with at least one network manager, characterized in that links within a technology domain are established by implementing hierarchical pass-through routing of other domains in the network.
9. A method as claimed in claim 8, characterized in
10 that to establish a link between nodes in one said technology domain, a path is routed through a higher order domain.
10. A method as claimed in claim 9, characterized in that said higher order domain is a SONET domain.

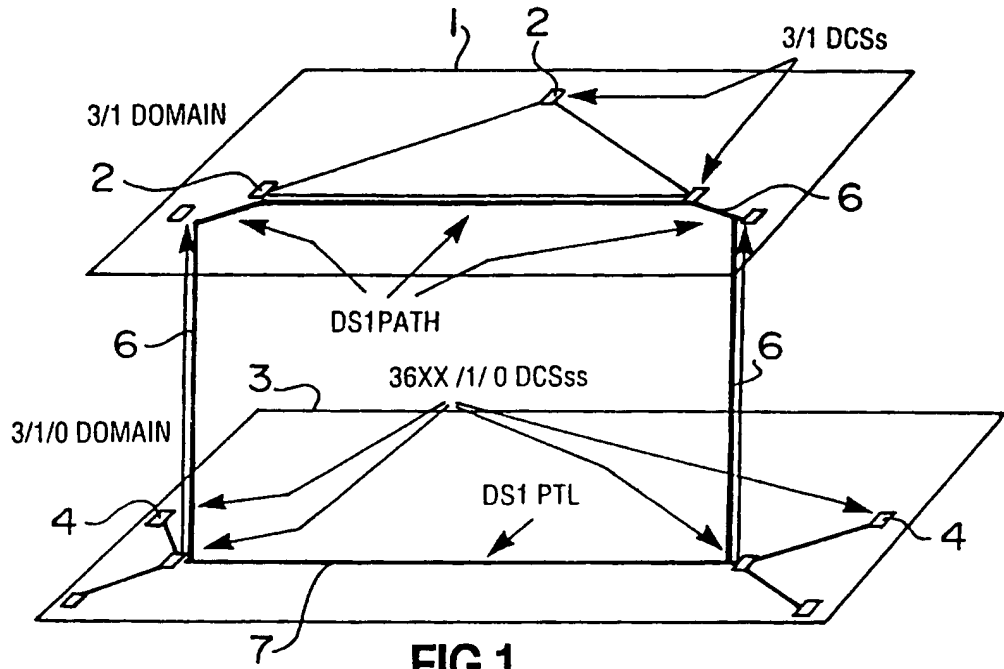


FIG. 1

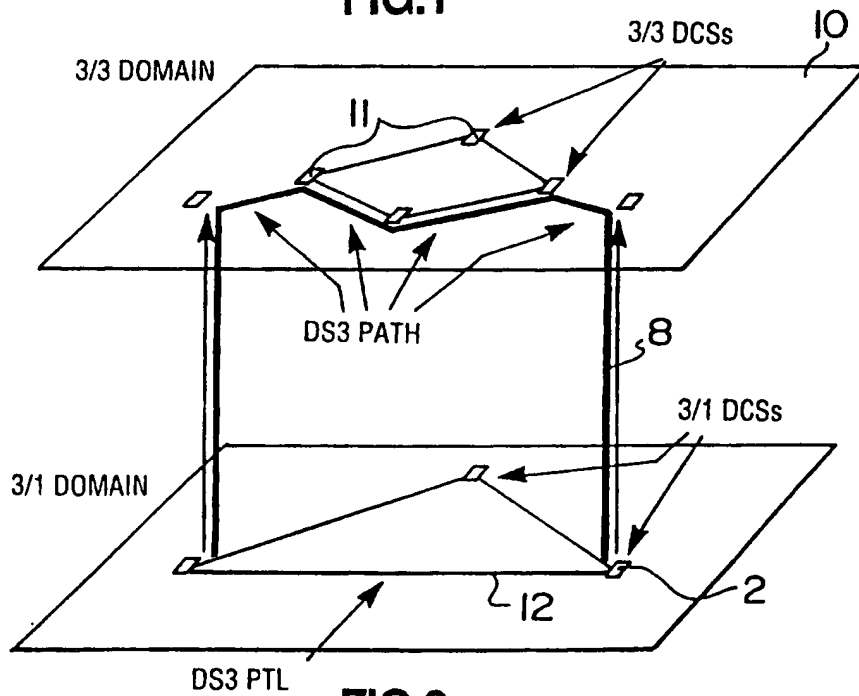


FIG. 2

SUBSTITUTE SHEET (RULE 26)

2/10

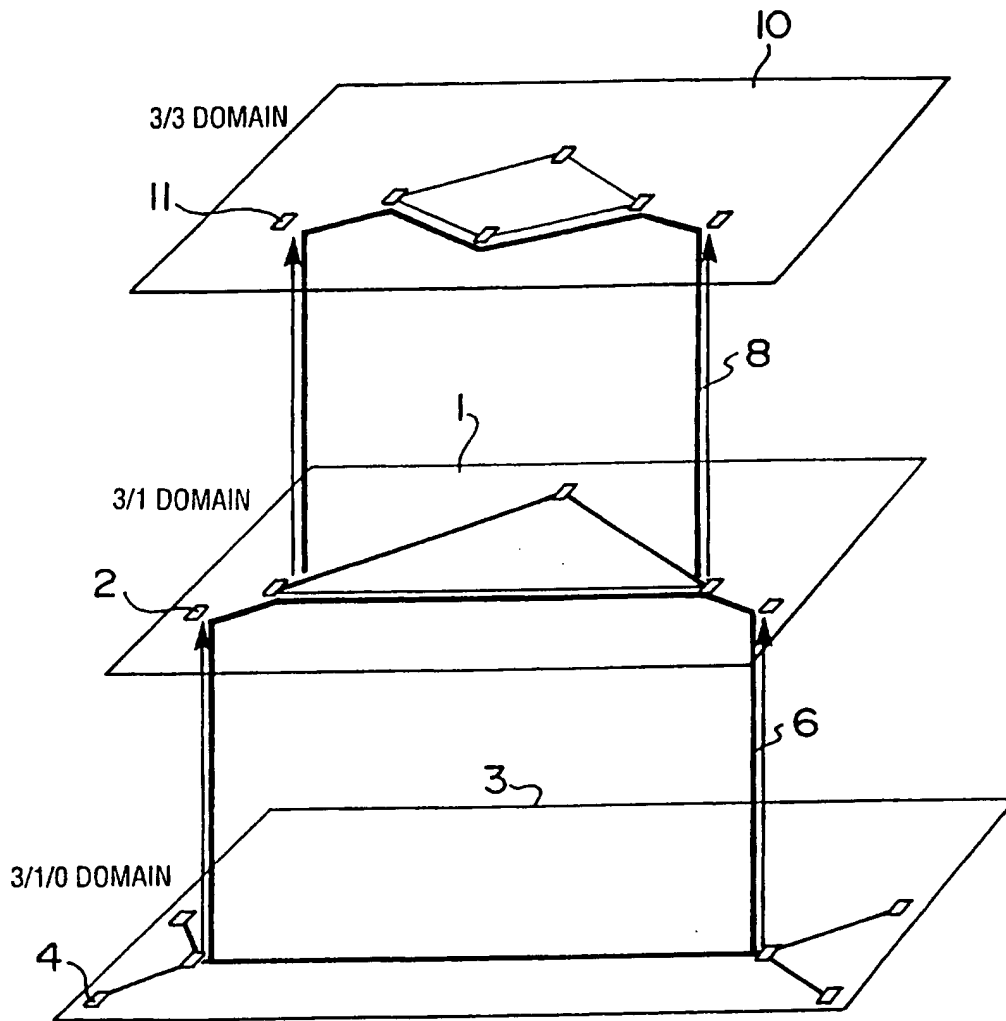


FIG.3

3/10

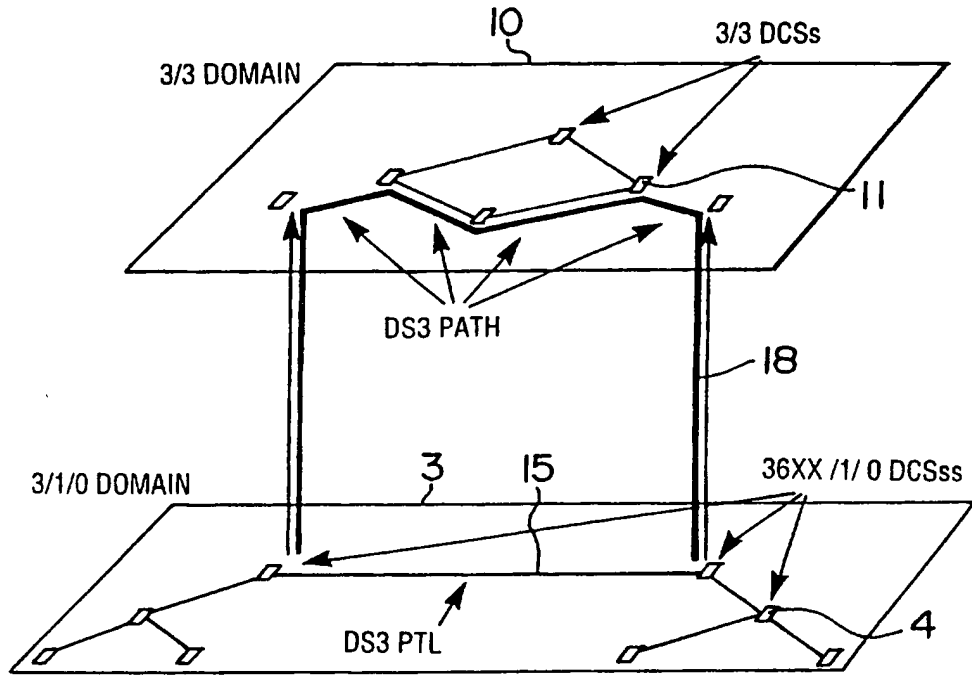


FIG.4

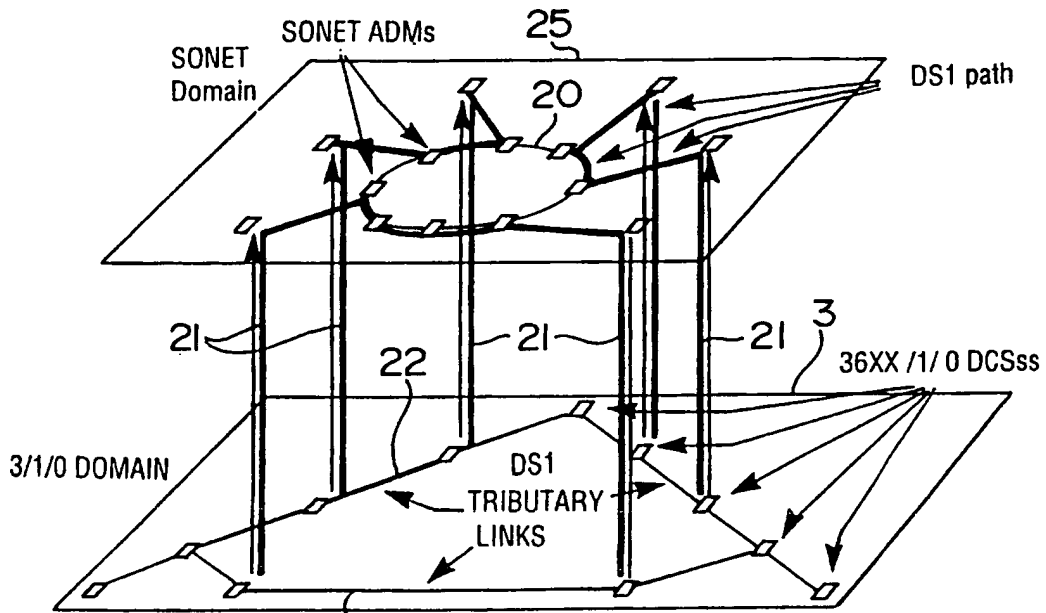


FIG.5

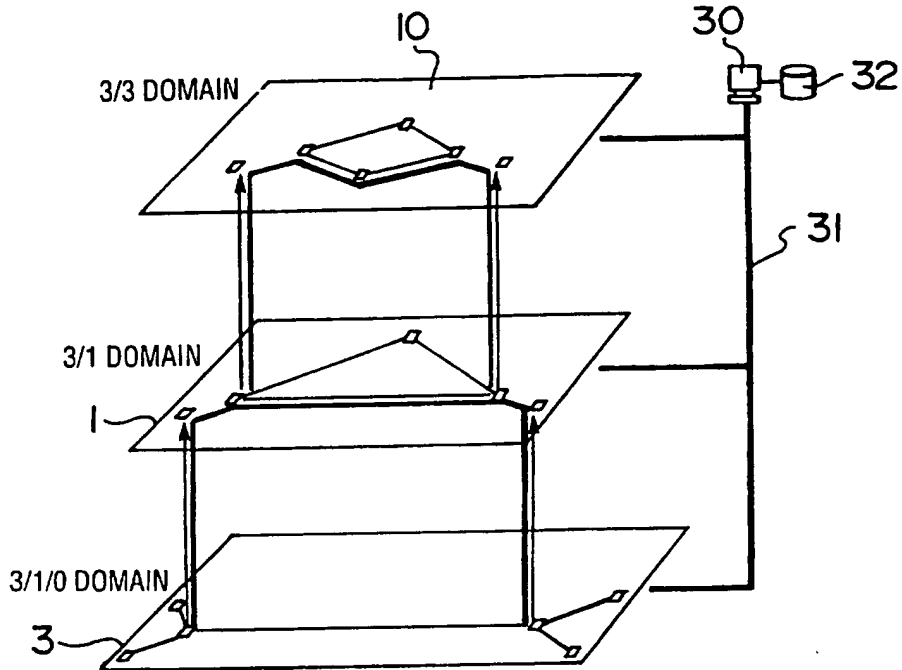


FIG. 6

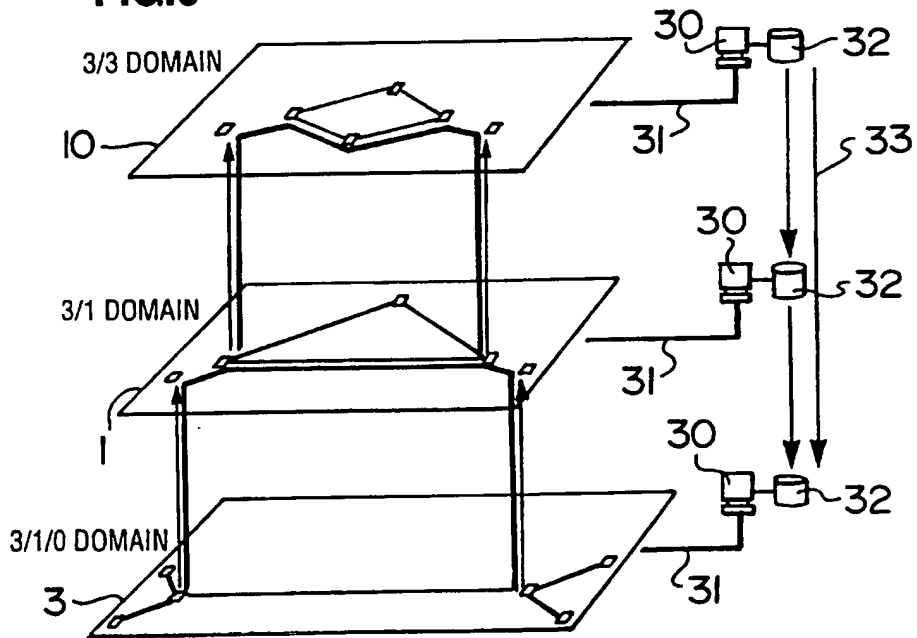


FIG. 7

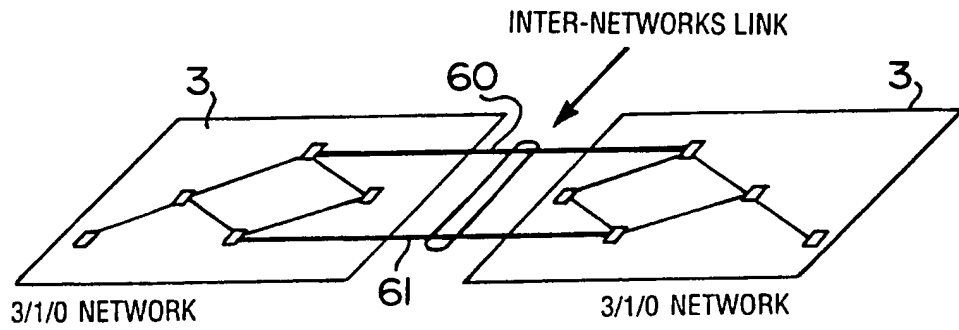


FIG.8

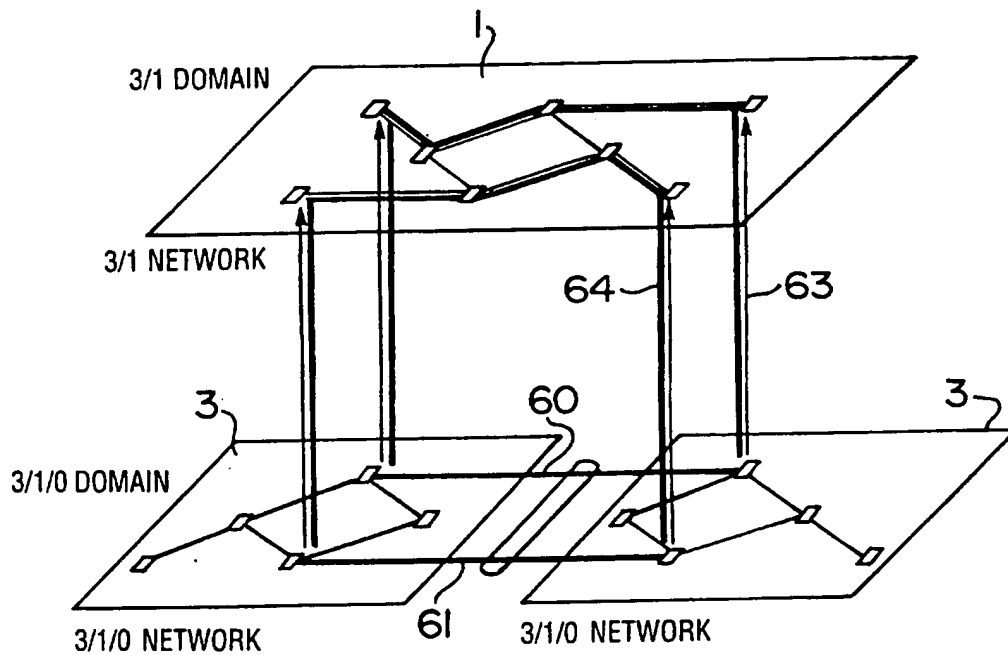


FIG.9

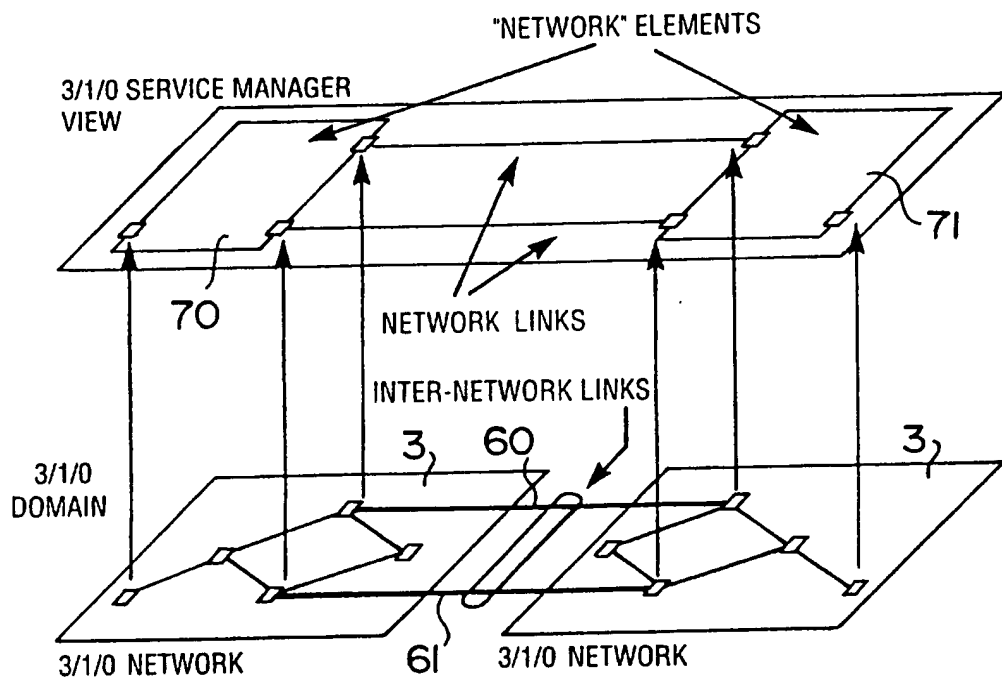


FIG.10

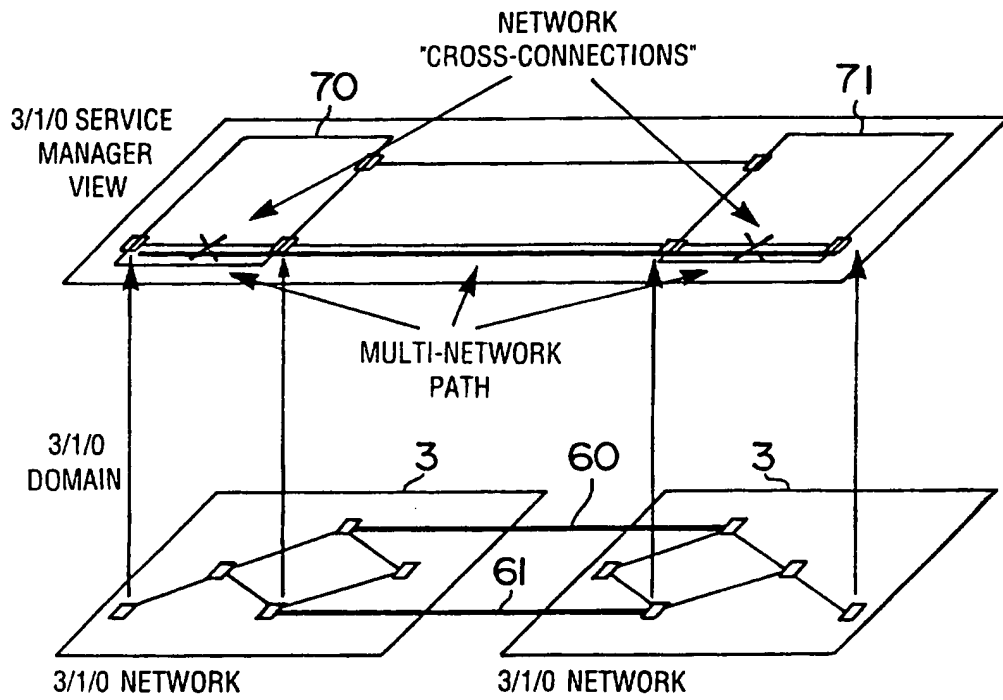


FIG.11

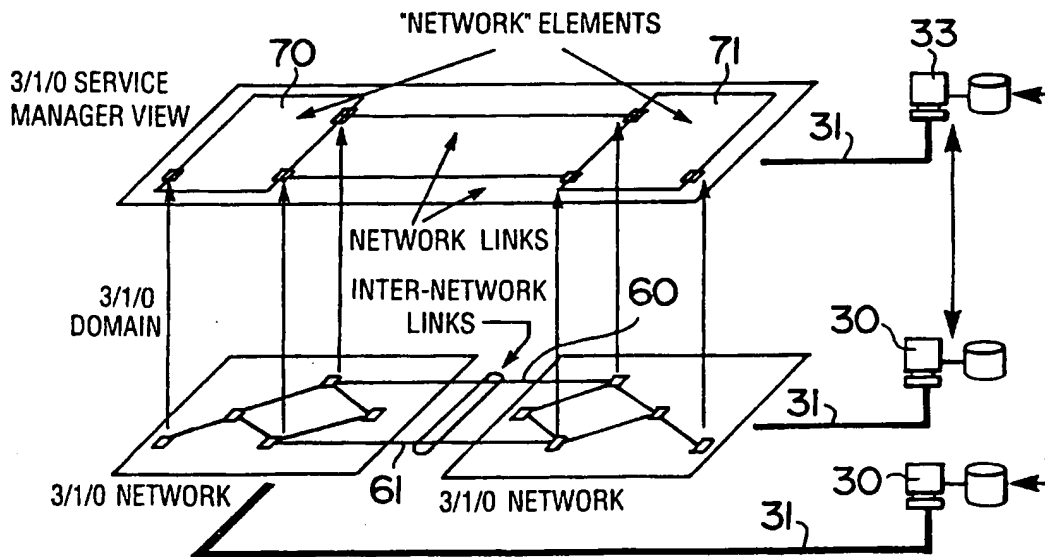
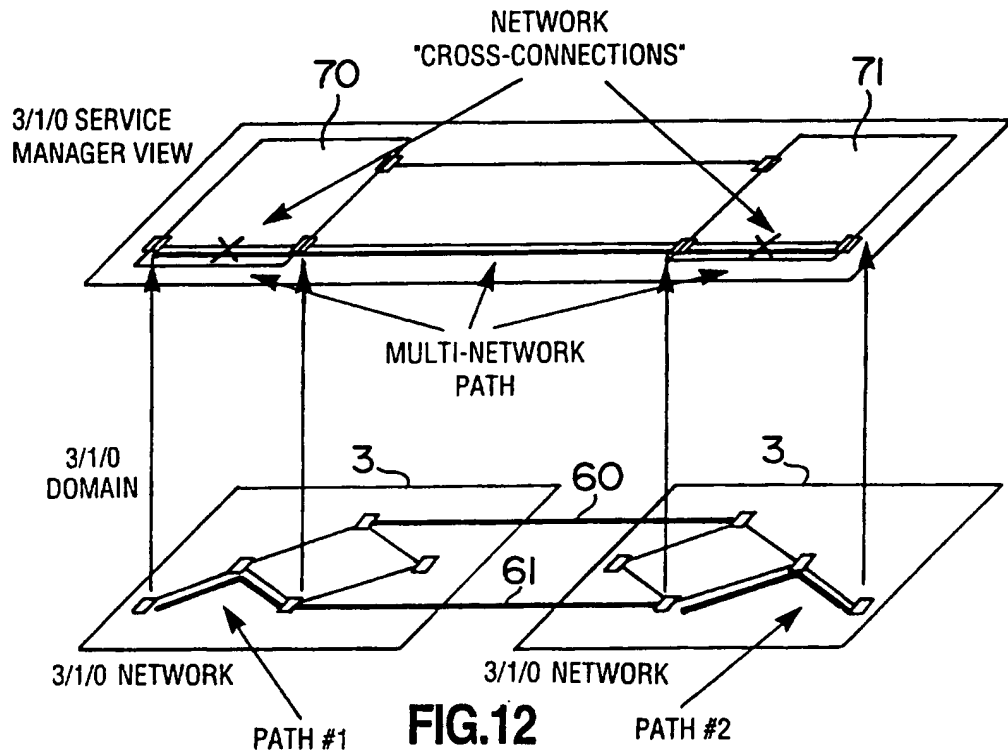
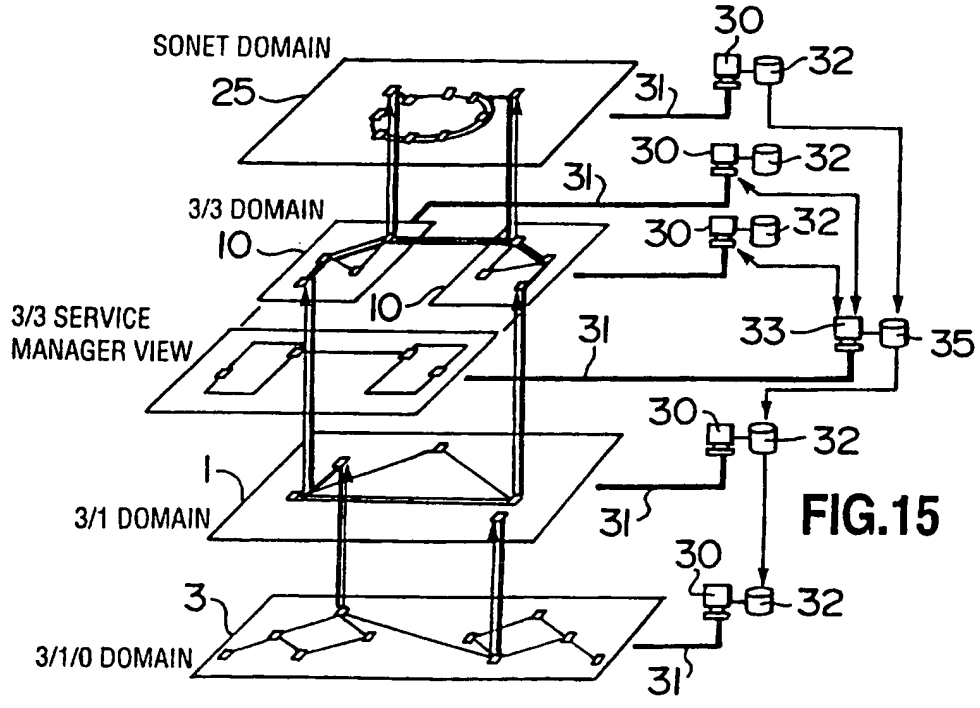
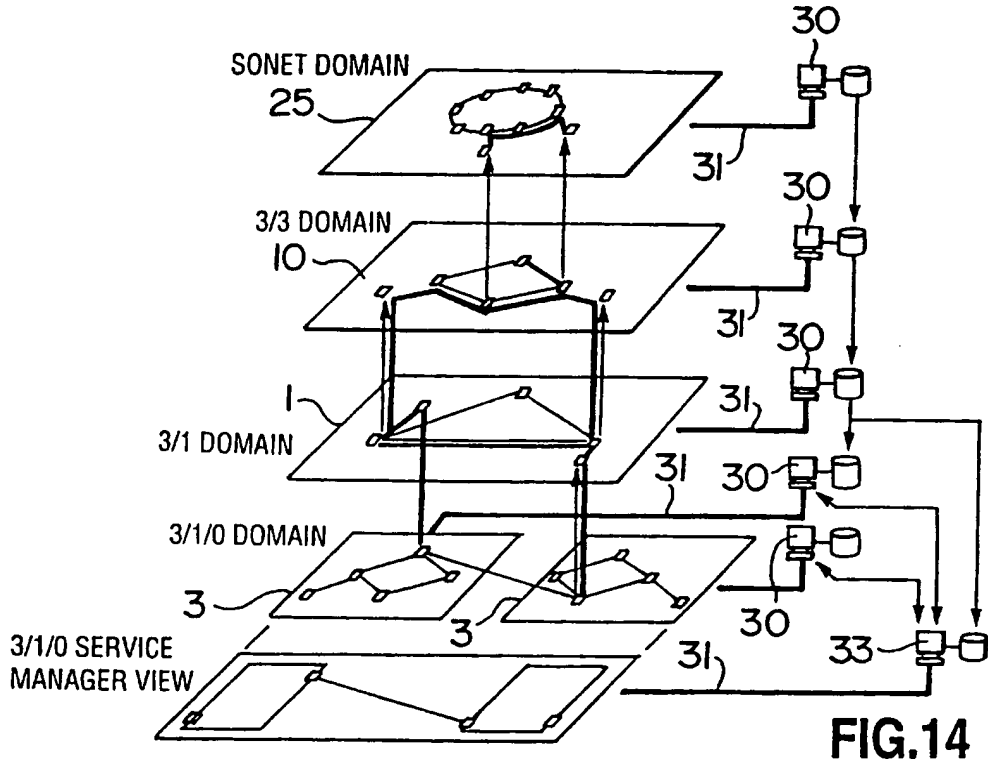


FIG. 13

SUBSTITUTE SHEET (RULE 26)

9/10



10/10

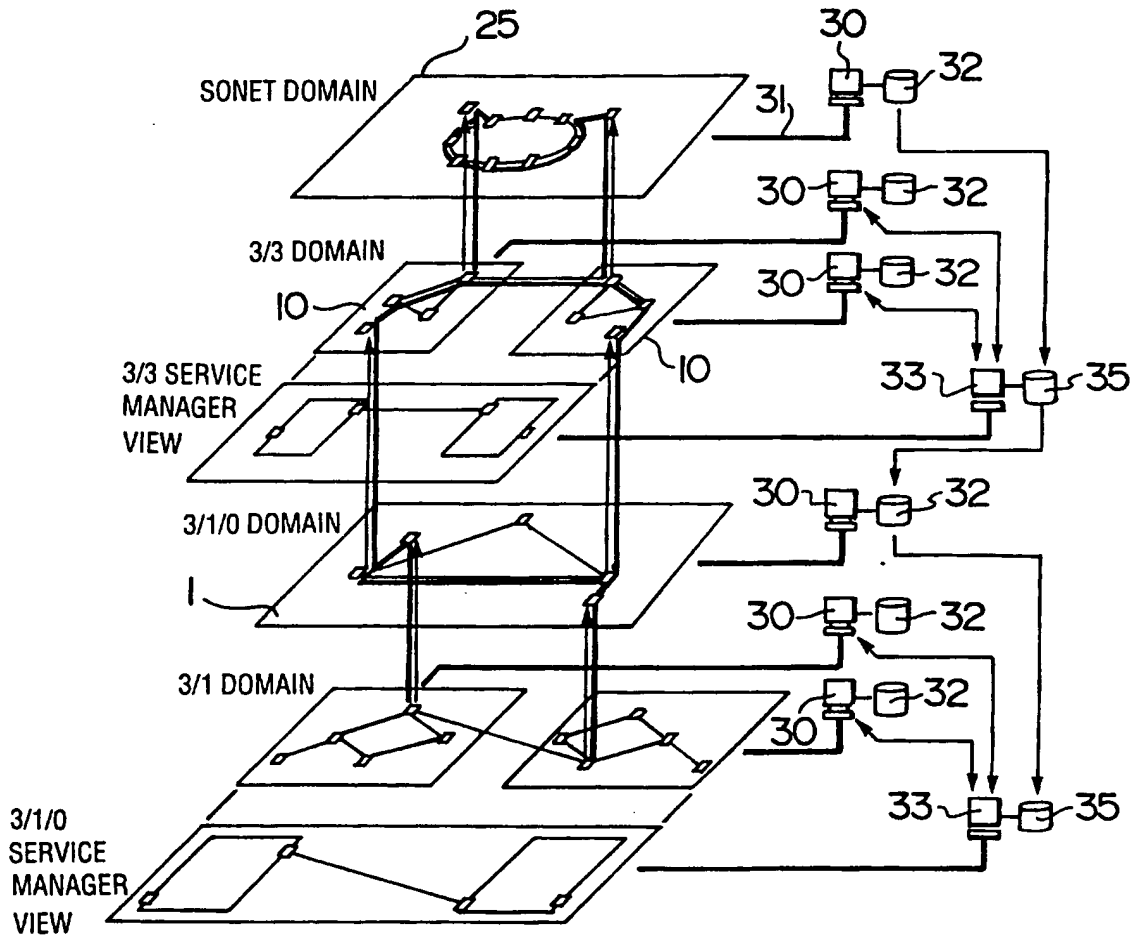


FIG.16

INTERNATIONAL SEARCH REPORT

International Application No

PCT/CA 95/00522

A. CLASSIFICATION OF SUBJECT MATTER
IPC 6 H04L12/24

According to International Patent Classification (IPC) or to both national classification and IPC

B. FIELDS SEARCHED

Minimum documentation searched (classification system followed by classification symbols)

IPC 6 H04L H04J

Documentation searched other than minimum documentation to the extent that such documents are included in the fields searched

Electronic data base consulted during the international search (name of data base and, where practical, search terms used)

C. DOCUMENTS CONSIDERED TO BE RELEVANT

Category *	Citation of document, with indication, where appropriate, of the relevant passages	Relevant to claim No.
A	IEEE COMMUNICATIONS MAGAZINE, vol. 31, no. 9, September 1993 US, pages 52-55, XP 000394870 S. ALLMIS 'IMPLEMENTING A FLEXIBLE SYNCHRONOUS NETWORK' see the whole document ---	1,8
A	PROCEEDINGS OF THE GLOBAL COMMUNICATIONS CONFERENCE (GLOBECOM), HOUSTON, NOV. 29 - DEC. 2, 1993, vol. 2 OF 4, 29 November 1993 INSTITUTE OF ELECTRICAL AND ELECTRONICS ENGINEERS, pages 888-892, XP 000427935 MOTOO NISHIHARA ET AL 'STM-ATM MIGRATION PLAN WITH BRIDGE FUNCTIONS' see page 889, left column, line 10 - line 23 --- -/--	1,8

Further documents are listed in the continuation of box C.

Patent family members are listed in annex.

* Special categories of cited documents :

- *A* document defining the general state of the art which is not considered to be of particular relevance
- *E* earlier document but published on or after the international filing date
- *L* document which may throw doubts on priority claim(s) or which is cited to establish the publication date of another citation or other special reason (as specified)
- *O* document referring to an oral disclosure, use, exhibition or other means
- *P* document published prior to the international filing date but later than the priority date claimed

- *T* later document published after the international filing date or priority date and not in conflict with the application but cited to understand the principle or theory underlying the invention
- *X* document of particular relevance; the claimed invention cannot be considered novel or cannot be considered to involve an inventive step when the document is taken alone
- *Y* document of particular relevance; the claimed invention cannot be considered to involve an inventive step when the document is combined with one or more other such documents, such combination being obvious to a person skilled in the art.
- *&* document member of the same patent family

Date of the actual completion of the international search

12 December 1995

Date of mailing of the international search report

22.12.95

Name and mailing address of the ISA

European Patent Office, P.B. 5818 Patentlaan 2
NL - 2280 HV Rijswijk
Tel. (+ 31-70) 340-2040, Tx. 31 651 epo nl,
Fax (+ 31-70) 340-3016

Authorized officer

Mikkelsen, C

INTERNATIONAL SEARCH REPORT

International Application No
PCT/CA 95/00522

C.(Continuation) DOCUMENTS CONSIDERED TO BE RELEVANT		
Category	Citation of document, with indication, where appropriate, of the relevant passages	Relevant to claim No.
A	HITACHI REVIEW, vol. 40, no. 3, 1 June 1991 pages 247-252, XP 000277447 HIROTAKA USUDA ET AL 'INTEGRATED NETWORK MANAGEMENT SYSTEM' see the whole document -----	1,8

**This Page is Inserted by IFW Indexing and Scanning
Operations and is not part of the Official Record**

BEST AVAILABLE IMAGES

Defective images within this document are accurate representations of the original documents submitted by the applicant.

Defects in the images include but are not limited to the items checked:

- BLACK BORDERS**
- IMAGE CUT OFF AT TOP, BOTTOM OR SIDES**
- FADED TEXT OR DRAWING**
- BLURRED OR ILLEGIBLE TEXT OR DRAWING**
- SKEWED/SLANTED IMAGES**
- COLOR OR BLACK AND WHITE PHOTOGRAPHS**
- GRAY SCALE DOCUMENTS**
- LINES OR MARKS ON ORIGINAL DOCUMENT**
- REFERENCE(S) OR EXHIBIT(S) SUBMITTED ARE POOR QUALITY**
- OTHER:** _____

IMAGES ARE BEST AVAILABLE COPY.

As rescanning these documents will not correct the image problems checked, please do not report these problems to the IFW Image Problem Mailbox.